

# ***THS6092EVM***

## *User's Guide*

## IMPORTANT NOTICE

Texas Instruments Incorporated and its subsidiaries (TI) reserve the right to make corrections, modifications, enhancements, improvements, and other changes to its products and services at any time and to discontinue any product or service without notice. Customers should obtain the latest relevant information before placing orders and should verify that such information is current and complete. All products are sold subject to TI's terms and conditions of sale supplied at the time of order acknowledgment.

TI warrants performance of its hardware products to the specifications applicable at the time of sale in accordance with TI's standard warranty. Testing and other quality control techniques are used to the extent TI deems necessary to support this warranty. Except where mandated by government requirements, testing of all parameters of each product is not necessarily performed.

TI assumes no liability for applications assistance or customer product design. Customers are responsible for their products and applications using TI components. To minimize the risks associated with customer products and applications, customers should provide adequate design and operating safeguards.

TI does not warrant or represent that any license, either express or implied, is granted under any TI patent right, copyright, mask work right, or other TI intellectual property right relating to any combination, machine, or process in which TI products or services are used. Information published by TI regarding third-party products or services does not constitute a license from TI to use such products or services or a warranty or endorsement thereof. Use of such information may require a license from a third party under the patents or other intellectual property of the third party, or a license from TI under the patents or other intellectual property of TI.

Reproduction of information in TI data books or data sheets is permissible only if reproduction is without alteration and is accompanied by all associated warranties, conditions, limitations, and notices. Reproduction of this information with alteration is an unfair and deceptive business practice. TI is not responsible or liable for such altered documentation.

Resale of TI products or services with statements different from or beyond the parameters stated by TI for that product or service voids all express and any implied warranties for the associated TI product or service and is an unfair and deceptive business practice. TI is not responsible or liable for any such statements.

Mailing Address:

Texas Instruments  
Post Office Box 655303  
Dallas, Texas 75265

## EVM IMPORTANT NOTICE

Texas Instruments (TI) provides the enclosed product(s) under the following conditions:

This evaluation kit being sold by TI is intended for use for **ENGINEERING DEVELOPMENT OR EVALUATION PURPOSES ONLY** and is not considered by TI to be fit for commercial use. As such, the goods being provided may not be complete in terms of required design-, marketing-, and/or manufacturing-related protective considerations, including product safety measures typically found in the end product incorporating the goods. As a prototype, this product does not fall within the scope of the European Union directive on electromagnetic compatibility and therefore may not meet the technical requirements of the directive.

Should this evaluation kit not meet the specifications indicated in the EVM User's Guide, the kit may be returned within 30 days from the date of delivery for a full refund. **THE FOREGOING WARRANTY IS THE EXCLUSIVE WARRANTY MADE BY SELLER TO BUYER AND IS IN LIEU OF ALL OTHER WARRANTIES, EXPRESSED, IMPLIED, OR STATUTORY, INCLUDING ANY WARRANTY OF MERCHANTABILITY OR FITNESS FOR ANY PARTICULAR PURPOSE.**

The user assumes all responsibility and liability for proper and safe handling of the goods. Further, the user indemnifies TI from all claims arising from the handling or use of the goods. Please be aware that the products received may not be regulatory compliant or agency certified (FCC, UL, CE, etc.). Due to the open construction of the product, it is the user's responsibility to take any and all appropriate precautions with regard to electrostatic discharge.

**EXCEPT TO THE EXTENT OF THE INDEMNITY SET FORTH ABOVE, NEITHER PARTY SHALL BE LIABLE TO THE OTHER FOR ANY INDIRECT, SPECIAL, INCIDENTAL, OR CONSEQUENTIAL DAMAGES.**

TI currently deals with a variety of customers for products, and therefore our arrangement with the user **is not exclusive**.

TI assumes **no liability for applications assistance, customer product design, software performance, or infringement of patents or services described herein**.

Please read the EVM User's Guide and, specifically, the EVM Warnings and Restrictions notice in the EVM User's Guide prior to handling the product. This notice contains important safety information about temperatures and voltages. For further safety concerns, please contact the TI application engineer.

Persons handling the product must have electronics training and observe good laboratory practice standards.

No license is granted under any patent right or other intellectual property right of TI covering or relating to any machine, process, or combination in which such TI products or services might be or are used.

Mailing Address:

Texas Instruments  
Post Office Box 655303  
Dallas, Texas 75265

## **EVM WARNINGS AND RESTRICTIONS**

It is important to operate this EVM within the input voltage ranges described in the EVM User's Guide.

Exceeding the specified input range may cause unexpected operation and/or irreversible damage to the EVM. If there are questions concerning the input range, please contact a TI field representative prior to connecting the input power.

Applying loads outside of the specified output range may result in unintended operation and/or possible permanent damage to the EVM. Please consult the EVM User's Guide prior to connecting any load to the EVM output. If there is uncertainty as to the load specification, please contact a TI field representative.

During normal operation, some circuit components may have case temperatures greater than 60°C. The EVM is designed to operate properly with certain components above 60°C as long as the input and output ranges are maintained. These components include but are not limited to linear regulators, switching transistors, pass transistors, and current sense resistors. These types of devices can be identified using the EVM schematic located in the EVM User's Guide. When placing measurement probes near these devices during operation, please be aware that these devices may be very warm to the touch.

### Mailing Address:

Texas Instruments  
Post Office Box 655303  
Dallas, Texas 75265

# Read This First

---

---

---

### ***About This Manual***

This manual provides information about the evaluation module of the amplifier under test. Additionally, this document provides a good example of PCB design for high-speed applications. The user should keep in mind the following points.

It is recommended that the user initially review the datasheet of the device under test.

- It is helpful to review the schematic and layout of the THS6092EVM to determine the design techniques used in the evaluation board.
- The design of the high-speed amplifier PCB is a sensitive process. The user must approach high speed PCB design with care and awareness.

### ***How to Use This Manual***

This document contains the following chapters:

- Chapter 1: Introduction and Description
- Chapter 2: Using the THS6092EVM
- Chapter 3: THS6092EVM Applications
- Chapter 4: High-Speed Amplifier PCB Layout Tips
- Chapter 5: THS6092EVM Hardware Description

### ***Information About Cautions and Warnings***

This book may contain cautions and warnings.

**This is an example of a caution statement.**

**A caution statement describes a situation that could potentially damage your software or equipment.**

**This is an example of a warning statement.**

**A warning statement describes a situation that could potentially cause harm to you.**

The information in a caution or a warning is provided for your protection. Please read each caution and warning carefully.

### **FCC Warning**

This equipment is intended for use in a laboratory test environment only. It generates, uses, and can radiate radio frequency energy and has not been tested for compliance with the limits of computing devices pursuant to subpart J of part 15 of FCC rules, which are designed to provide reasonable protection against radio frequency interference. Operation of this equipment in other environments may cause interference with radio communications, in which case the user at his own expense will be required to take whatever measures may be required to correct this interference.

### **Electrostatic Sensitive Components**



**This EVM contains components that can potentially be damaged by electrostatic discharge. Always transport and store the EVM in its supplied ESD bag when not in use. Handle using an antistatic wristband. Operate on an antistatic work surface. For more information on proper handling, refer to SSYA008.**

### **Related Documentation From Texas Instruments**

The URLs below are correct as of the date of publication of this manual. Texas Instruments applications apologizes if they change over time.

- THS6092 data sheet (literature number SLOS264)
- Application report (literature number SLMA002), *Power Pad Thermally Enhanced Package*,  
<http://www-s.ti.com/sc/psheets/slma004/slma002.pdf>
- Application report (literature number SLMA004), *Power Pad Made Easy*,  
<http://www-s.ti.com/sc/psheets/slma004/slma004.pdf>
- Application report (literature number SSYA008), *Electrostatic Discharge (ESD)*, <http://www-s.ti.com/sc/psheets/ssya008/ssya008.pdf>

- Application report (literature number SLOA100), *Active Output Impedance for ADSL Line Drivers*,  
<http://www-s.ti.com/sc/psheets/sloa100/sloa100.pdf>

**Trademarks**

PowerPAD is a trademark of Texas Instruments.





# Contents

---

---

---

|          |   |            |
|----------|---|------------|
| <b>1</b> | <b>Introduction and Description</b>         | <b>1-1</b> |
| 1.1      | Description                                 | 1-2        |
| 1.2      | Evaluation Module Features                  | 1-2        |
| 1.3      | THS6092EVM Operating Conditions             | 1-2        |
| 1.4      | EVM Default Configuration                   | 1-2        |
| <b>2</b> | <b>Using the THS6092EVM</b>                 | <b>2-1</b> |
| 2.1      | Required Equipment                          | 2-2        |
| 2.2      | Power Supply Setup                          | 2-2        |
| 2.3      | Input and Output Test Setup                 | 2-3        |
| <b>3</b> | <b>THS6092EVM Applications</b>              | <b>3-1</b> |
| 3.1      | Standard Gain Configuration                 | 3-2        |
| 3.2      | Single Supply Operation                     | 3-3        |
| 3.3      | Active Termination                          | 3-4        |
| 3.4      | Snubber Circuit                             | 3-6        |
| 3.5      | Receive Path Implementation                 | 3-7        |
| 3.6      | High Pass Filter                            | 3-8        |
| 3.7      | Single-Ended Gain Stages                    | 3-9        |
| <b>4</b> | <b>High-Speed Amplifier PCB Layout Tips</b> | <b>4-1</b> |
| <b>5</b> | <b>EVM Hardware Description</b>             | <b>5-1</b> |

# Figures

---

---

---

|     |   |     |
|-----|---|-----|
| 1-1 | Schematic of the Populated Circuit on the EVM (Default Configuration) . . . . . | 1-3 |
| 2-1 | Power Supply Connection . . . . .   | 2-2 |
| 2-2 | Signal Connections . . . . .  | 2-3 |
| 3-1 | Default Configuration Operation . . . . .                                       | 3-2 |
| 3-2 | Single-Supply Operation . . . . .   | 3-3 |
| 3-3 | Differential Positive Feedback . . . . .  | 3-4 |
| 3-4 | Addition of Snubber Circuit to Active Termination . . . . .                     | 3-6 |
| 3-5 | Implementation of the Receive Signal Path . . . . .                             | 3-7 |
| 3-6 | ADSL Spectrum and High Pass Filter Response . . . . .                           | 3-8 |
| 3-7 | Single-Ended Amplifier Configuration . . . . .                                  | 3-9 |
| 5-1 | Top Layer 1 of THS6092EVM . . . . .   | 5-2 |
| 5-2 | Internal Plane (Layer 2) . . . . .  | 5-3 |
| 5-3 | Internal Plane (Layer 3) . . . . .  | 5-3 |
| 5-4 | Bottom (Layer 4) . . . . .  | 5-4 |
| 5-5 | Full Schematic of the THS6092EVM . . . . .                                      | 5-5 |

# Tables

---

---

---

|     |  |     |
|-----|--|-----|
| 5-1 | THS6092EVM Bill of Materials . . . . . | 5-1 |
|-----|--|-----|

# Introduction and Description

---

---

---

The Texas Instruments THS6092 evaluation module (EVM) helps designers evaluate the performance of the THS6092 operational amplifier. Also, this EVM is a good example of high-speed PCB design.

This document details the THS6092EVM. It includes a list of EVM features, a brief description of the module illustrated with a series of schematic diagrams, EVM specifications, details on connecting and using the EVM, and a discussion of high-speed amplifier design considerations.

This EVM enables the user to implement various circuits to clarify the available configurations presented by the schematic of the EVM. The user is not limited to the circuit configurations presented here. The EVM provides enough hardware hooks that the only limitation should be the creativity of the user.

| <b>Topic</b>                                     | <b>Page</b> |
|--|-------------|
| <b>1.1 Description .....</b>                     | <b>1-2</b>  |
| <b>1.2 Evaluation Module .....</b>               | <b>1-2</b>  |
| <b>1.3 THS6092EVM Operating Conditions .....</b> | <b>1-2</b>  |
| <b>1.4 EVM Default Configuration .....</b>       | <b>1-2</b>  |

## 1.1 Description

The THS6092EVM provides a platform for developing high-speed op amp application circuits. It contains the THS6092 high-speed dual op amp, a number of passive components, and various features and footprints that enable the user to experiment, test, and verify various operational amplifier circuit implementations. The PC board measures 4.095 by 2.855 inches.

## 1.2 Evaluation Module Features

THS6092 high-speed operational amplifier EVM features include:

- Active termination capability (R6 and R11)
- Snubber circuit (R19 and C5), for use with active termination
- Hooks for a receive path signal (TP1 through TP4)
- Noninverting gain configuration for DSL
- Virtual ground capability (JP1, R20, R21)
- HPF function for ADSL (C3 and R7)
- Single amp gain stage capability (R9, R10, R22, and C2)
- Short-loop length for the power supply differential high-frequency path (C8)

## 1.3 THS6092EVM Operating Conditions

Supply voltage range,  $\pm V_{CC}$        $\pm 2.5$  V to  $\pm 6$  V (or 5 V to 12 V single supply)  
Supply current,  $I_{CC}$                       (see the device data sheet)

For complete THS6092 amplifier IC specifications, parameter measurement information, and additional application information, see the THS6092 data sheet, TI literature number SLOS264.

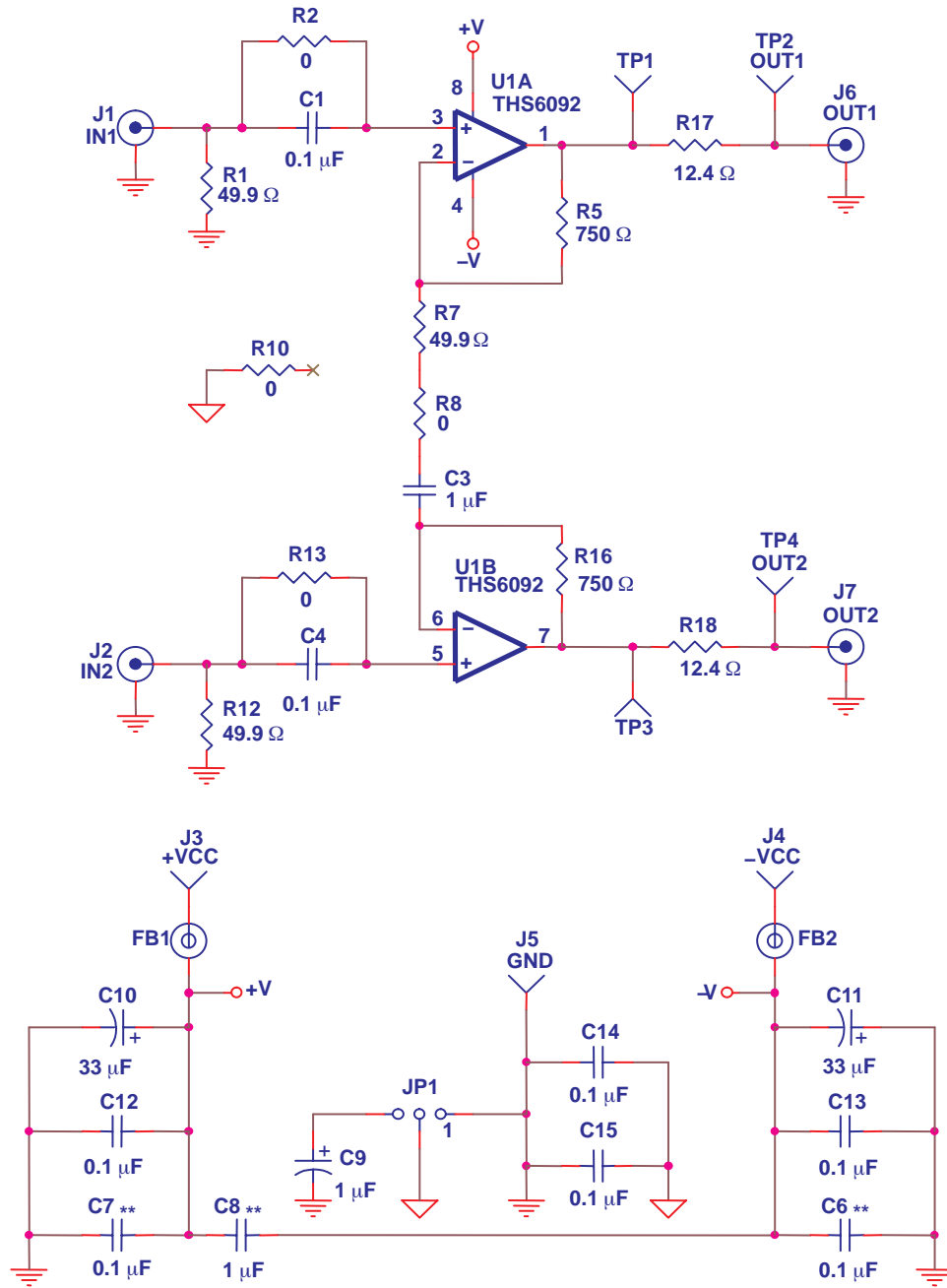
## 1.4 EVM Default Configuration

The EVM has a fully functional example circuit; just add power supplies, a signal source, and monitoring instrument. See Figure 1–1 for the default schematic diagram. The complete EVM schematic in Chapter 5 shows all component locations.

The default configuration assumes a differential gain, as determined by R5, R16, and R7 in combination with series matching resistors R17 and R18, and assumes a 50- $\Omega$  load on the outputs at J6 and J7.

Some components such as R10, C6 through C15, FB1, FB2, JP1, J3, J4, and J5 are omitted on the application schematics of Chapter 3 for clarity.

Figure 1–1. Schematic of the Populated Circuit on the EVM (Default Configuration)



\*\* Install near U1



# Using the THS6092EVM

---

---

---

This section describes how to connect the THS6092EVM to test equipment. It is recommended that the user connect the EVM as described in this section to avoid damage to the EVM or the THS6092 installed on the board.

| <b>Topic</b>                                 | <b>Page</b> |
|--|-------------|
| <b>2.1 Required Equipment</b> .....          | <b>2-2</b>  |
| <b>2.2 Power Supply Setup</b> .....          | <b>2-2</b>  |
| <b>2.3 Input and Output Test Setup</b> ..... | <b>2-3</b>  |

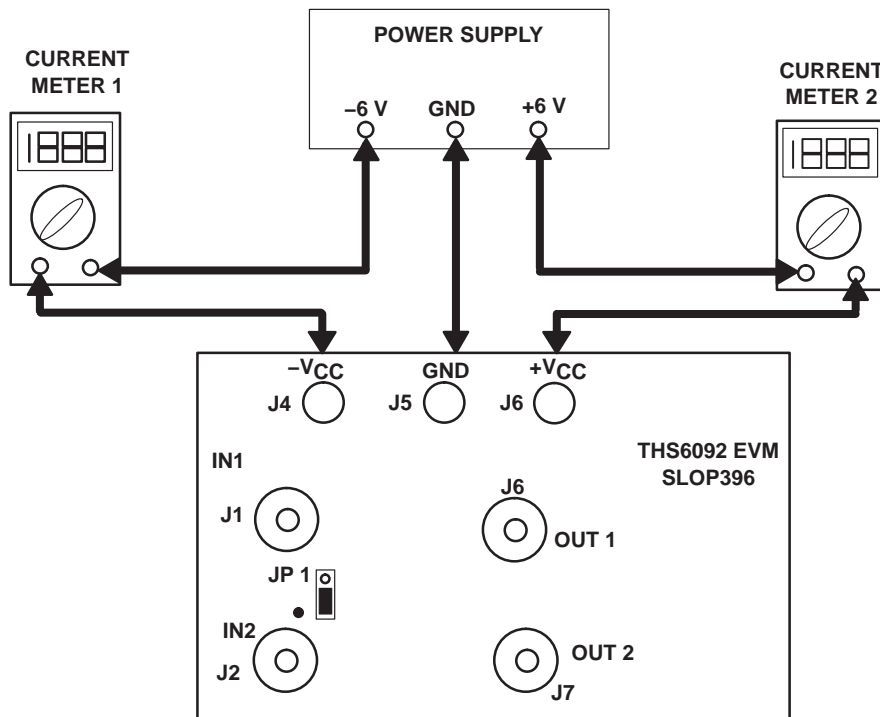
## 2.1 Required Equipment

- Dual dc output power supply ( $\pm 6$  V, 200 mA output minimum)
- Two dc current meters with resolution to 1 mA and capable of the maximum current supplied by the dc power source. *Note: Some power supplies incorporate current meters which may be applicable to this test.*
- 50- $\Omega$  source impedance function generator (1 MHz, 5 V<sub>pp</sub> sine wave)
- Oscilloscope (50 MHz bandwidth minimum, 50- $\Omega$  terminated BNC Input)

## 2.2 Power Supply Setup (Reference Figure 2–1)

- Set the dc power supply to  $\pm 6$  V. If available, set the current limit on the dc power supply to 200 mA.
- Make sure the dc power supply is turned off before proceeding to the next step.
- Connect the +6 V supply to the + input on current meter 2 (if applicable).
- Connect the – input on current meter 2 to J6 (+Vcc) on the EVM.
- Connect the –6V supply to the – input on current meter 1 (if applicable).
- Connect the + input on current meter 1 to J4 (–Vcc) on the EVM.
- Make sure both dc current meters are set to at least 1 mA resolution and can withstand the maximum output current of the power supplies.
- Connect the ground(s) of the +6 V and –6 V power supply to J5 (GND) on the EVM.
- Verify JP1 is connected to the 1–2 position (lower posts).

Figure 2–1. Power Supply Connection

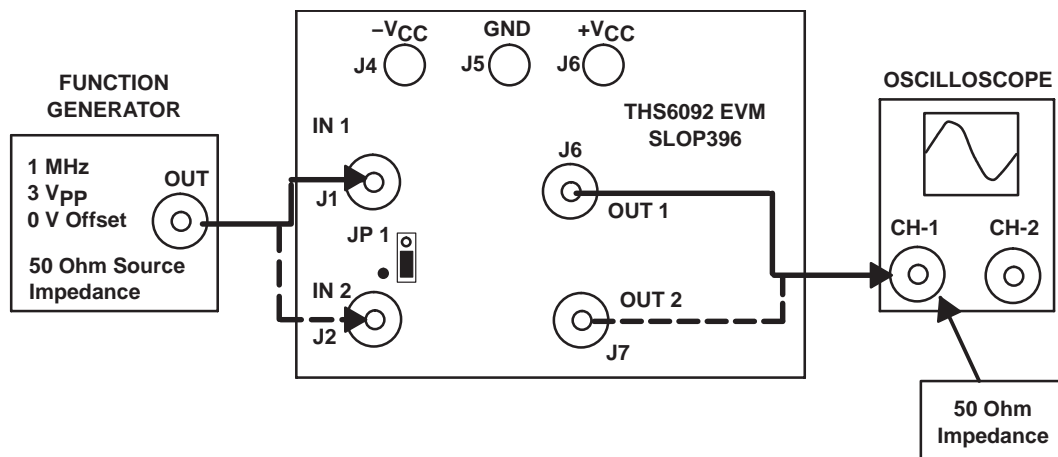




### 2.3 Input and Output Test Setup (Reference Figure 2–2)

- Set the function generator to a 1 MHz,  $\pm 1.5$  V ( $3 V_{pp}$ ) sine wave with no dc offset.
- Turn off the function generator before proceeding to the next step.
- Using a BNC cable, connect the function generator to J1 (IN1 BNC) on the EVM.
- Using a BNC cable, connect the oscilloscope to J6 (OUT1 BNC) on the EVM. Set the oscilloscope to 1 V/Division and a time base of  $0.2 \mu\text{Sec}/\text{Division}$ . *Note : The Oscilloscope must be set to  $50\text{-}\Omega$  termination for proper operation.*

Figure 2–2. Signal Connections





# THS6092EVM Applications

---

---

---

Example applications are presented in this chapter. These applications demonstrate the most popular circuits to the user, but many other circuits can be constructed. The user is encouraged to experiment with different circuits, exploring new and creative design techniques. That, after all, is the function of an evaluation board.

| <b>Topic</b>                                 | <b>Page</b> |
|--|-------------|
| <b>3.1 Standard Gain Configuration</b> ..... | <b>3-2</b>  |
| <b>3.2 Single Supply Operation</b> .....     | <b>3-3</b>  |
| <b>3.3 Active Termination</b> .....          | <b>3-4</b>  |
| <b>3.4 Snubber Circuit</b> .....             | <b>3-6</b>  |
| <b>3.5 Receive Path Implementation</b> ..... | <b>3-7</b>  |
| <b>3.6 High Pass Filter</b> .....            | <b>3-8</b>  |
| <b>3.7 Single-Ended Gain Stages</b> .....    | <b>3-9</b>  |

### 3.1 Standard Gain Configuration

The THS6092EVM default configuration is a fully differential input, fully differential output gain stage as shown in Figure 3–1. This gain is calculated according an equation that is similar to the one that describes an instrumentation amplifier:

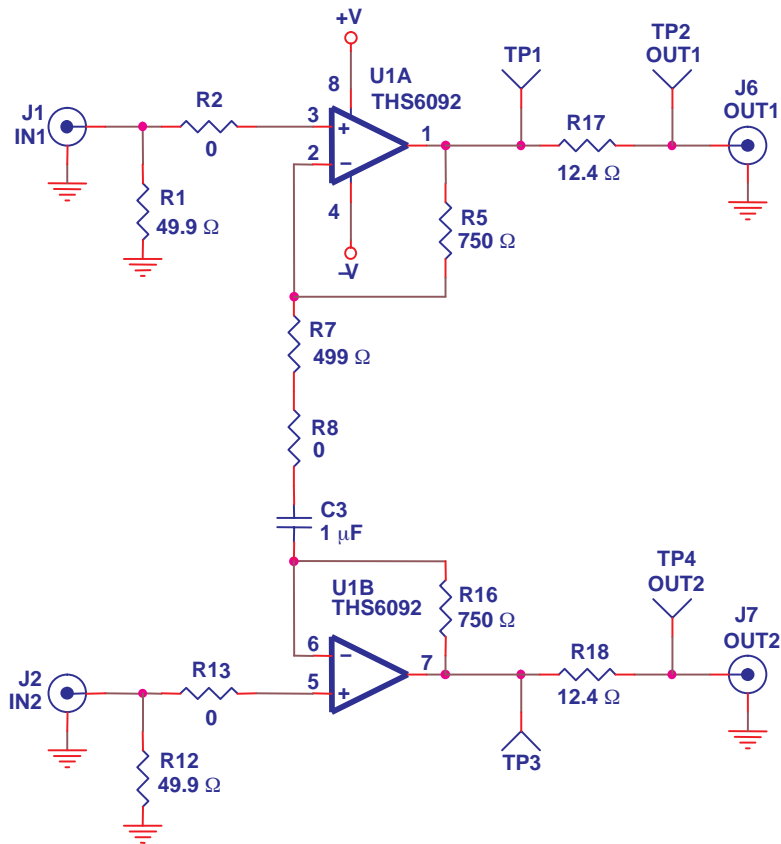
$$\text{Differential gain} = \frac{V_{O(\text{diff})}}{V_{I(\text{diff})}} = 1 + \frac{2 \times R5}{R7} \quad (1)$$

Where:

$$R5 = R16$$

Series resistors R17 and R18 affect output voltage at J6 and J7. Designers need to take the voltage divider law into account for their load impedance and R17/R18.

Figure 3–1. Default Configuration Operation



### 3.2 Single Supply Operation

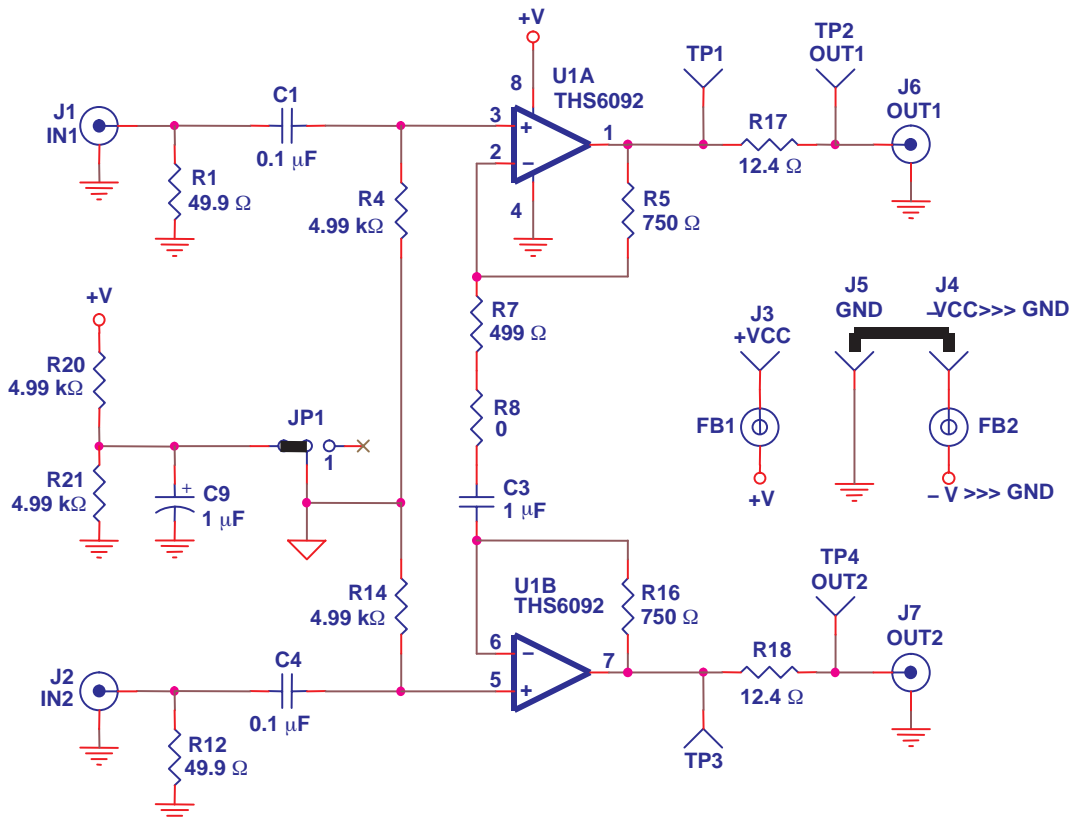
About half of designs use single supply, and the THS6092EVM allows single supply operation. The THS6092EVM can be reconfigured for single supply operation as shown in Figure 3–2. To convert to single supply operation:

- Connect ground from the power supply to both J5 (GND) and J4 (–VCC).
- Jumper pins 2 and 3 of JP1 together with a jumper plug. This enables connection to a *half supply* voltage divider.
- Populate R4, R14, R20, and R21, with 4.99 k $\Omega$  1% resistors. R20 and R21 create the *half supply* potential (virtual ground for the stage). R4 and R14 sum this potential into the noninverting inputs of the op amps.

The *half-supply* virtual ground potential is also present on the output of the op amps. No provision has been made on the EVM for output dc blocking capacitors. When the outputs are monitored with equipment that has 50- $\Omega$  inputs, 75 mW is dissipated through R17, R18, and the input resistors of the measuring equipment.

- Remove R2 and R13. C1 and C4 are then used as dc blocking capacitors.

Figure 3–2. Single-Supply Operation



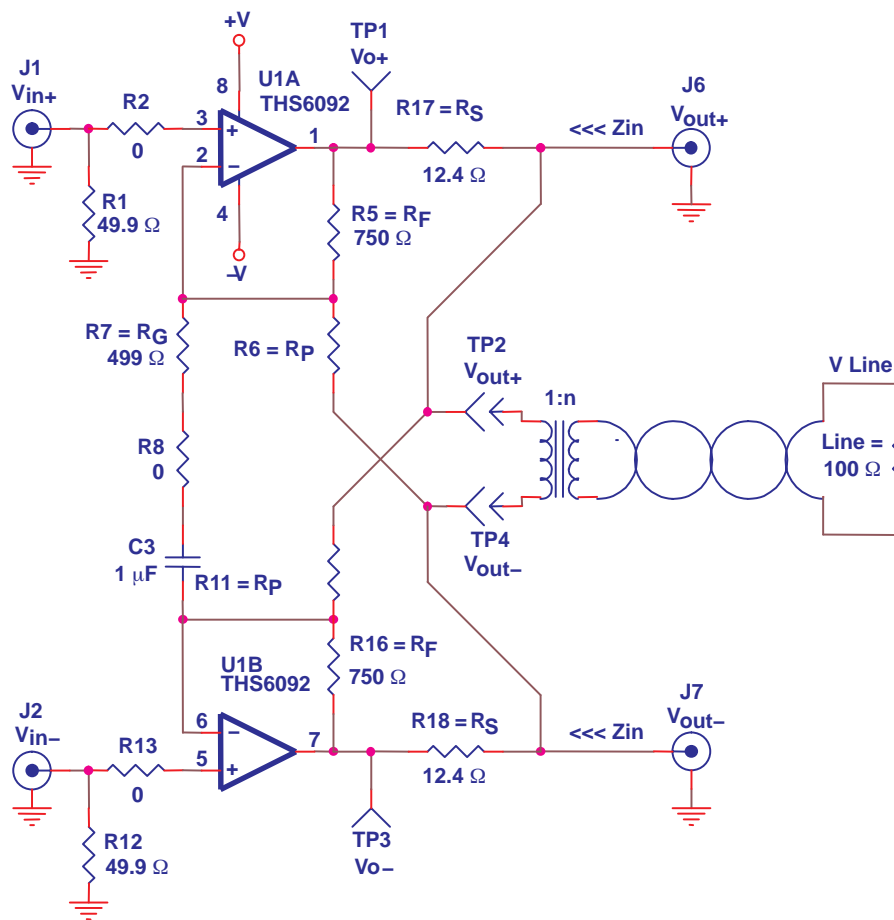
### 3.3 Active Termination

Active termination is a technique that allows the designer to use a small value resistor for the series resistance (R17 or R18). The circuit then utilizes positive feedback to make the impedance of this resistor appear much larger, when looking from the line side. This accomplishes two things:

- 1) A very small resistance is evident when the line driver amplifier transmits signals to the line. This lowers the driver stage output voltage swing range requirement.
- 2) Proper matching impedance when looking from the line to the amplifier

Figure 3–3 shows the basic circuit for differential positive feedback.

Figure 3–3. Differential Positive Feedback



Active feedback creates larger impedance (Z) than what is actually placed there by series resistors  $R_S$ :

$$Z(\Omega) = \frac{R_S}{1 - \frac{R_F}{R_P}} \quad (2)$$

The important thing to consider is that regardless of the forward gain from Vin to Vo, the active impedance (Z) value remains constant.

Now that the return impedance is corrected, forward voltage gain from input to output is calculated. Equation 3 shows the simplified forward gain from  $V_{in}$  to  $V_o$ .

$$A_V = \frac{V_{O \pm}}{V_{in \pm}} = \frac{1 + \left( \frac{R_F}{R_G \parallel R_P} \right)}{1 - \left( \frac{R_F}{R_P} \right) \left( \frac{R_L}{R_L + R_S} \right)} \text{ iff } R_L \ll R_P \quad (3)$$

Where:

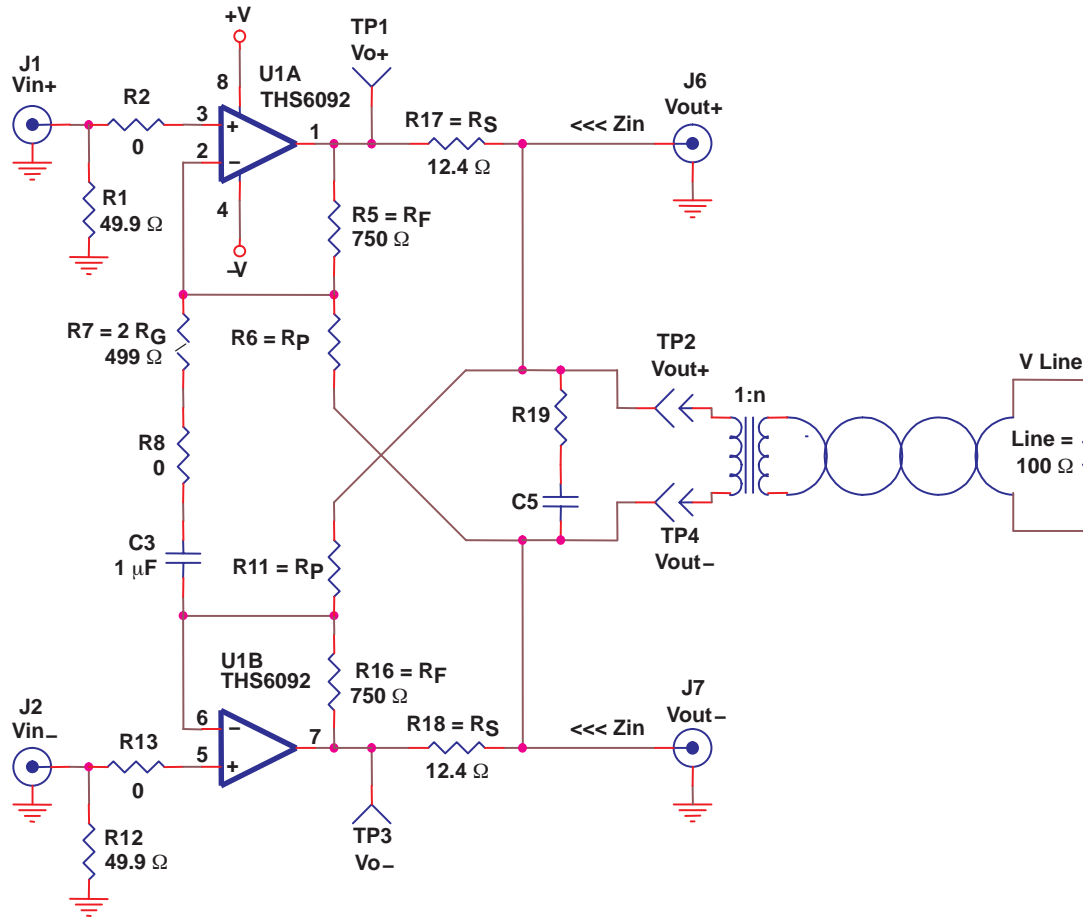
$$R_L = \frac{R_{LINE}}{2 n^2} \quad (4)$$

Where  $n$  is the turn ratio of the transformer.

The reader is cautioned that active termination is a very complex topic, with many considerations. Carefully read the Texas Instruments application report *Active Output Impedance for ADSL Line Drivers*, SLOA100 to gain a more complete understanding of the topic and all of the subtle implications of active termination.

### 3.4 Snubber Circuit

Figure 3–4. Addition of Snubber Circuit to Active Termination



R19 and C5 are located on the EVM so that a snubber circuit may be implemented. Some transformers have a high resonance frequency (as low as 25 MHz but as high as 150 MHz). When using traditional termination (just R17 and R18—no active termination), there is typically no reason to use these components. But, when active termination is used, the effective impedance of these two resistor values drops substantially. Thus, there can be very small resistor isolation between the amplifier—and a resonance problem. Couple this with the feedback path of R6 and R11, and this can cause the amplifier to oscillate. The snubber is utilized to eliminate this oscillation. As a rule of thumb, use the following calculations to select the proper snubber values:

$$R19 = 2 \times \frac{R_{\text{LINE}}}{n^2} \tag{5}$$

Then select C5:

$$C5 = \frac{1}{2 \times \pi \times R19 \times F_C} \tag{6}$$

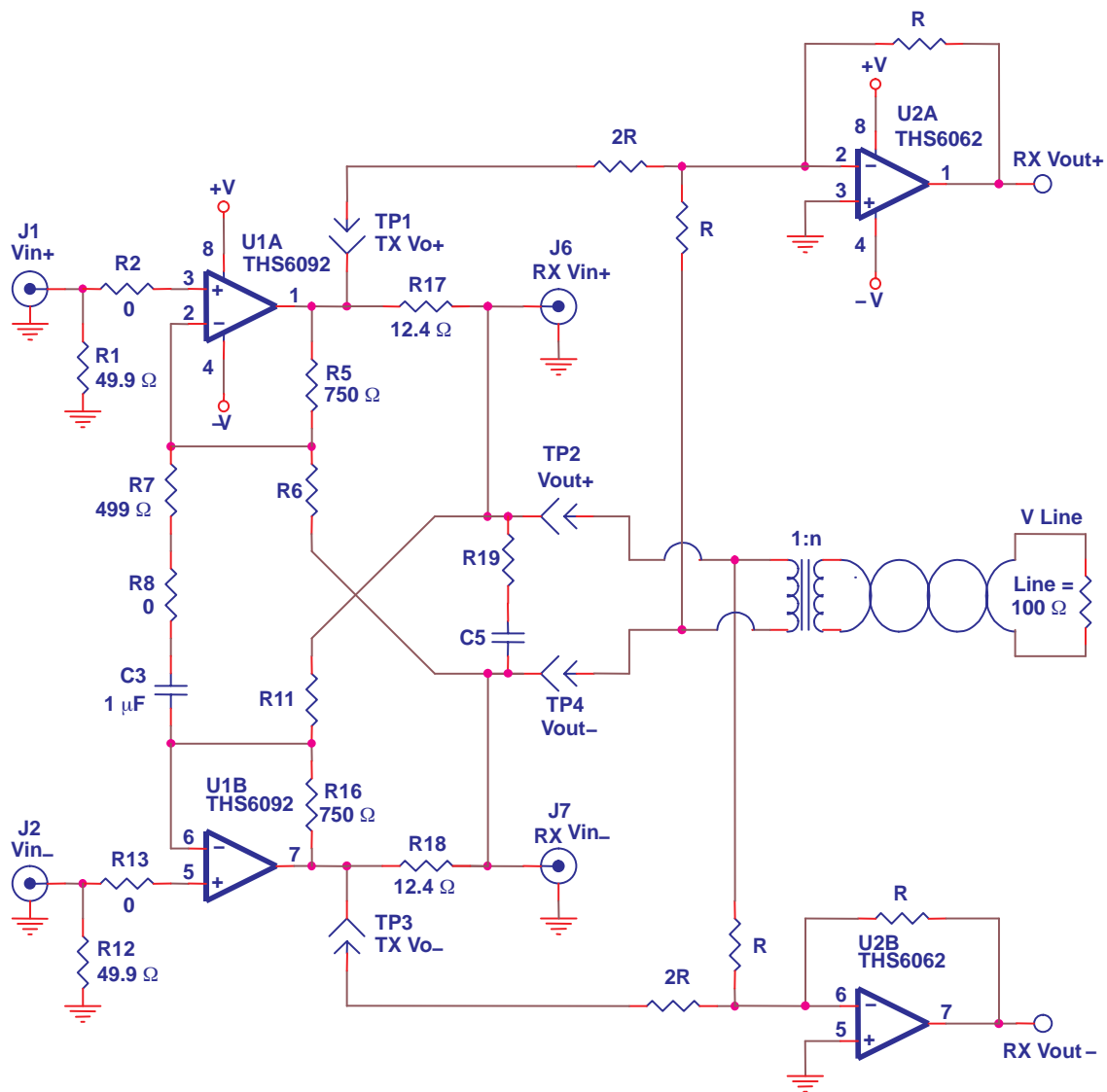
where  $F_C$  = at least 10 X the highest operating frequency (1.104MHz is the highest ADSL operating frequency). 20X or even larger may be preferable.



### 3.5 Receive Path Implementation

Test Points TP1 through TP4 are located on the EVM to facilitate the addition of the receive signal path to the signal chain as shown in Figure 3–5. When implementing the receive path, a *hybrid* must be used since ADSL is full duplex. The hybrid cancels out the TX signal and allows the RX signal from the line to come through. The THS6092EVM does not include receive or *hybrid* circuitry. Texas Instruments assumes that customers prefer to implement their own propriety hybrid design. This makes sense as each customer knows their nominal line impedance characteristics, and is able to match them better. Texas Instruments does have an EVM that contains a THS6062 ADSL receiver, and this EVM can be purchased separately to facilitate construction of a complete ADSL transmit/receive interface.

Figure 3–5. Implementation of the Receive Signal Path

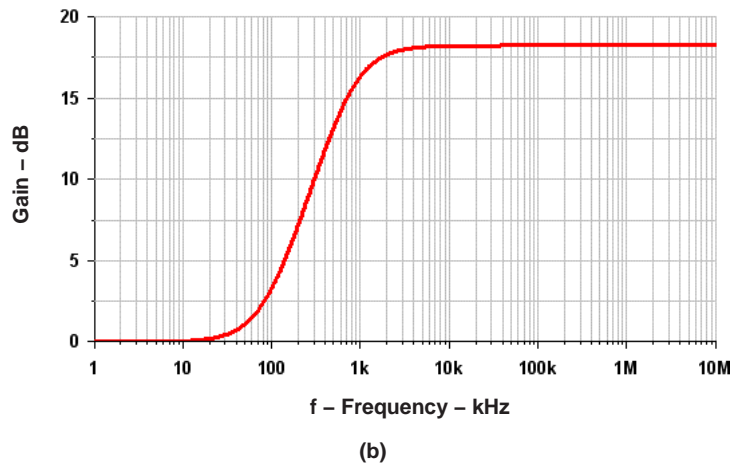
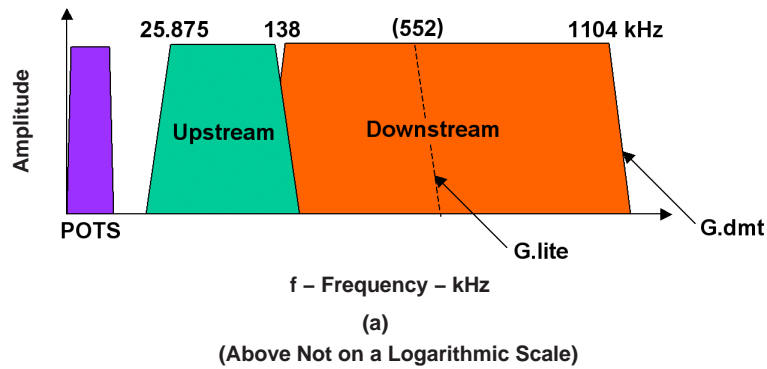


### 3.6 High Pass Filter

Because ADSL CPE is designed to transmit from 25.875 kHz to 138 kHz, C3 and R7 can be used to implement a HPF function. These are selected to be 20X lower than 25 kHz (1.25 kHz) or so. Some designs use a capacitor—some do not. This path allows for a common gain setting between the two channels. This helps (but does not assure) that the signals are truly differential.

Figure 3–6 compares the frequency spectrum of ADSL to a simulation of the high pass filter on the THS6092EVM.

Figure 3–6. ADSL Spectrum and High Pass Filter Response



Note that the high pass filter function is not a true high pass filter. C3 in series with R7 creates a zero at about 10 Hz. As the frequency decreases from about 3 kHz to 10 Hz, the circuit changes from a gain stage into two unity gain buffers.

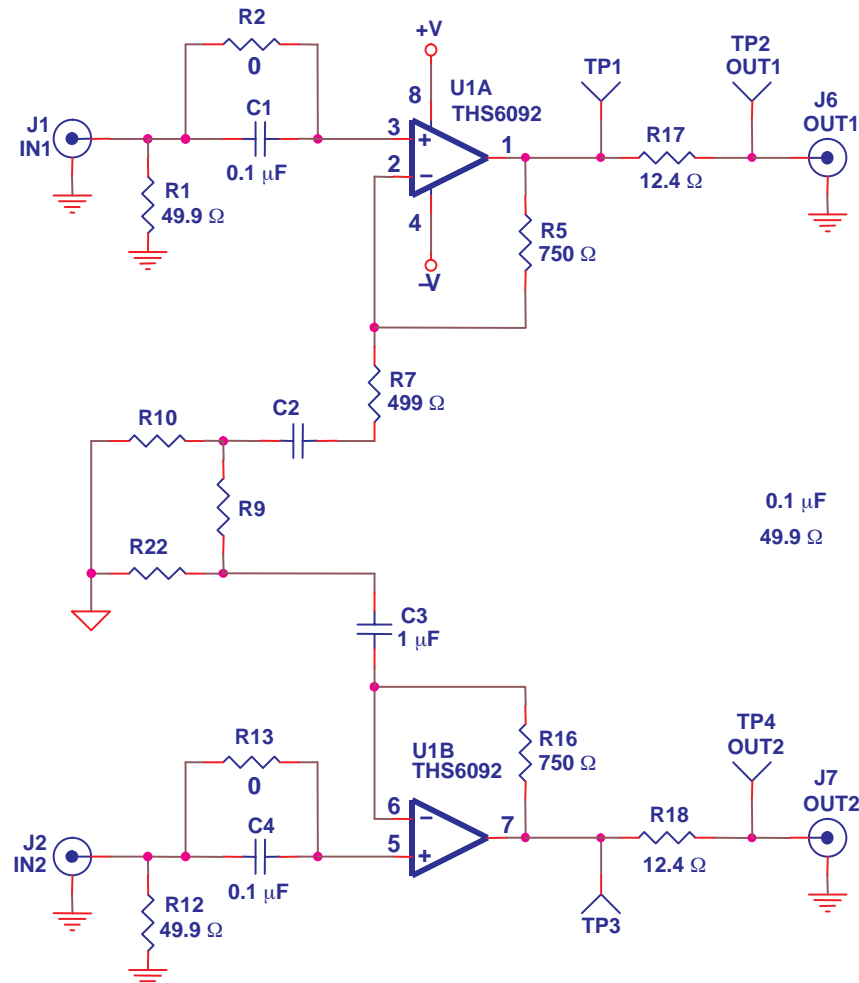
### 3.7 Single-Ended Gain Stages

Although ADSL is the obvious application for the THS6092EVM, it can also be configured for other applications. If the common gain resistor R8 is removed, an array of components allow various dc and ac coupled gain stages to be constructed.

Referring to Figure 3–7, for example, two dc-coupled gain stages could be formed by removing R9, making R10 zero- $\Omega$ , shorting C2 and C3 with zero- $\Omega$  jumpers, and making R7 and R22 gain resistors for the two individual stages. There are many possibilities.

If for some reason the user does not want to use common gain resistor R7, they can remove R8 and utilize R9 and C2 (through R10) or utilize just R22 and C2/R10. This redundancy was done because the PCB layout would make these nodes too distant from the amplifier channels. This design allows for a shorter connection path needed for good high frequency performance.

Figure 3–7. Single-Ended Amplifier Configuration





## High-Speed Amplifier PCB Layout Tips

---

---

---

The THS6092EVM layout has been designed for use with high-speed signals and can be used as an example when designing PCBs incorporating the THS6092. Careful attention has been given to component selection, grounding, power supply bypassing, and signal path layout. Disregarding these basic design considerations could result in less than optimum performance of the THS6092 high-speed operational amplifier. Surface-mount components are selected because of the extremely low lead inductance associated with this technology. This helps minimize both stray inductance and capacitance. Also, because surface-mount components are physically small, the layout can be very compact.

Tantalum power supply bypass capacitors at the power input pads help filter switching transients from the laboratory power supply. Power supply bypass capacitors are placed as close as possible to the IC power input pins in order to minimize the return path impedance. This improves high frequency bypassing and reduces harmonic distortion. The GND side of these capacitors should be located close to each other, minimizing the differential current loops associated with differential output currents. If poor high frequency performance is observed, replace the 0.1- $\mu$ F capacitors with microwave capacitors with a self-resonance at the frequency that produces trouble. A proper ground plane on both sides of the PCB should be used with high-speed circuit design. This provides low-inductive ground connections for return current paths.

In the area of the amplifier input pins, however, the ground plane has been removed to minimize stray capacitance and to reduce ground plane noise coupling into these pins. This is especially important for the inverting input pin. As low as 1 pF capacitance at the inverting input can significantly affect the response of the amplifier or even cause oscillation.

In general, it is best to keep signal lines as short and as straight as possible. Incorporation of microstrip or stripline techniques is also recommended when signal lines are greater than 1 inch in length. These traces must be designed with a characteristic impedance of either 50  $\Omega$  or 75  $\Omega$ , as required by the application. Such a signal line must also be properly terminated with an appropriate resistor.

---

The printed-circuit board that is used with PowerPAD packages must have features included in the design to remove the heat from the package efficiently. As a minimum, there must be an area of solder-tinned-copper underneath the PowerPAD package. This area is called the thermal land. The thermal land varies in size depending on the PowerPAD package being used, the PCB construction and the amount of heat that needs to be removed. In addition, this thermal land may or may not contain thermal vias depending on PCB construction. The requirements for thermal lands and thermal vias are detailed in <http://www-s.ti.com/sc/techlit/slma002> and <http://www-s.ti.com/sc/techlit/slma004>.

Finally, all inputs and outputs must be properly terminated, either in the layout or in the load instrumentation. Unterminated lines, such as coaxial cable, can appear to be a reactive load to the amplifier. By terminating a transmission line with its characteristic impedance, the amplifier's load then appears to be purely resistive, and reflections are absorbed at each end of the line. Another advantage of using an output termination resistor is that capacitive loads are isolated from the amplifier output. This isolation helps minimize the reduction in the amplifier's phase-margin and improves the amplifier stability resulting in reduced peaking and settling times.

On boards operated from dual power supplies, it is helpful to place a capacitor directly across the positive and negative power supplies. This helps the fully differential drive.

## EVM Hardware Description

This chapter describes the EVM hardware. It includes the EVM parts list, and printed circuit board layout.

Table 5-1. THS6092EVM Bill of Materials

| Item | Description                                    | Reference Designator                         | PCB QTY | Manufacturer's Part Number                                  | Distributor's Part Number                                |
|------|--|--|---------|---|--|
| 1    | Bead, Ferrite, 3A, 80 Ω, SMD size 1206         | FB1, FB2                                     | 2       | (Steward)<br>HI1206N800R-00<br>(Panasonic)<br>EXC-ML32A680U | (Digi-Key)<br>240-1010-1-ND<br>(Digi-Key)<br>P10437CT-ND |
| 2    | Open, size 0805                                | C2   | 1       |   |  |
| 3    | Open, size 1206                                | C5, R19                                      | 2       |   |  |
| 4    | Cap, 1.0 μF, tantalum, 35 V, SMT size B        | C9   | 1       | (Panasonic)<br>ECS-T1VX105R                                 | (Digi-Key)<br>PCS6105CT-ND                               |
| 5    | Cap, 33 μF, tantalum, 16 V, SMT, size D        | C10, C11                                     | 2       | (Panasonic)<br>ECS-T1CD336R<br>(AVX)<br>TAJD336K016R        | (Digi-Key)<br>PCS3336CT-ND<br>(Allied)<br>213-1096       |
| 6    | Cap, 1.0 μF, ceramic, Y5V, 50 V, SMD size 1210 | C8   | 1       | (Murata)<br>GRM42-2Y5V105Z50D500                            |  |
| 7    | Cap, 1.0 μF, ceramic, X7R, 25 V, SMD size 1206 | C3   | 1       | (Panasonic)<br>ECJ-3YB1E105K                                | (Digi-Key)<br>PCC1893CT-ND                               |
| 8    | Cap, 0.1 μF, ceramic, X7R, 25 V, SMD size 1206 | C1, C4                                       | 2       | (Panasonic)<br>ECJ-3VB1E104K                                | (Digi-Key)<br>PCC1883CT-ND                               |
| 9    | Cap, 0.1 μF, ceramic, 20%, 50 V, SMD size 0805 | C6, C7, C12, C13, C14, C15                   | 6       | (Murata)<br>GRM40Z5U104M050AD                               | (Allied)<br>231-0182                                     |
| 10   | Resistor, 0 Ω, SMD size 0805                   | R8, R10                                      | 2       | (KOA) RM73Z2A000  | (Garrett) RM73Z2A000                                     |
| 11   | Resistor, 499 Ω, 1/8 W, 1%, SMD size 0805      | R7   | 1       | (Phycomp)<br>9C08052A4990FKHFT                              | (Garrett)<br>9C08052A4990FKHFT                           |
| 12   | Resistor, 750 Ω, 1/8 W, 1%, SMD size 0805      | R5, R16                                      | 2       | (Phycomp)<br>9C08052A7500FKHFT                              | (Garrett)<br>9C08052A7500FKHFT                           |
| 13   | Open, size 0805                                | R3, R4, R6, R9, R11, R14, R15, R20, R21, R22 | 10      |   |  |
| 14   | Resistor, 0 Ω, size 1206                       | R2, R13                                      | 2       | (KOA) RM73Z2B000  | (Garrett) RM73Z2B000                                     |
| 15   | Resistor, 49.9 Ω, 1/4 W, 1% SMD size 1206      | R1, R12,                                     | 2       | (Phycomp)<br>9C12063A49R9FKRFT                              | (Garrett)<br>9C12063A49R9FKRFT                           |

|    |  |                |   |                                |                                       |
|----|--|----------------|---|--------------------------------|---------------------------------------|
| 16 | Resistor, 12.4 Ω, 1/4 W, 1% SMD size 1206    | R17, R18       | 2 | (Phycomp)<br>9C12063A12R4FKRFT | (Garrett)<br>9C12063A12R4FKRFT        |
| 17 | Header, 0.1" centers, 0.025" square pins     | JP1            | 1 | (Sullins) PZC36SAAN            | (Digi-Key) S1011-36-ND                |
| 18 | Shunts                                       |                | 1 | (Sullins) SSC02SYAN            | (Digi-Key) S9002-ND                   |
| 19 | Test points (black)                          | TP2, TP4       | 2 | (Keystone) 5001                | (Allied) 839-3601                     |
| 20 | Test points (red)                            | TP1, TP3       | 2 | (Keystone) 5000                | (Allied) 839-3600                     |
| 21 | Jack, banana receptacle, 0.25" diameter hole | J3, J4, J5     | 3 | (HH Smith) 101                 | (Newark) 35F865                       |
| 22 | Connector, BNC, vertical, PCB                | J1, J2, J6, J7 | 4 | (Amphenol) 31-5329             | (Allied) 713-7160<br>(Newark) 89F2885 |
| 23 | Standoff, 4-40 hex, 0.625" length            |                | 4 | (Keystone) 1804                | (Allied) 839-2089                     |
| 24 | Screw, Phillips, 4-40, 0.250"                |                | 4 |                                |                                       |
| 25 | IC, THS6092                                  | U1             | 1 | (TI) THS6092DDA                |                                       |
| 26 | PCB, THS SO8 PWP EVM, SLOP396                | PCB1           | 1 |                                |                                       |

Figure 5-1. Top Layer 1 of THS6092EVM

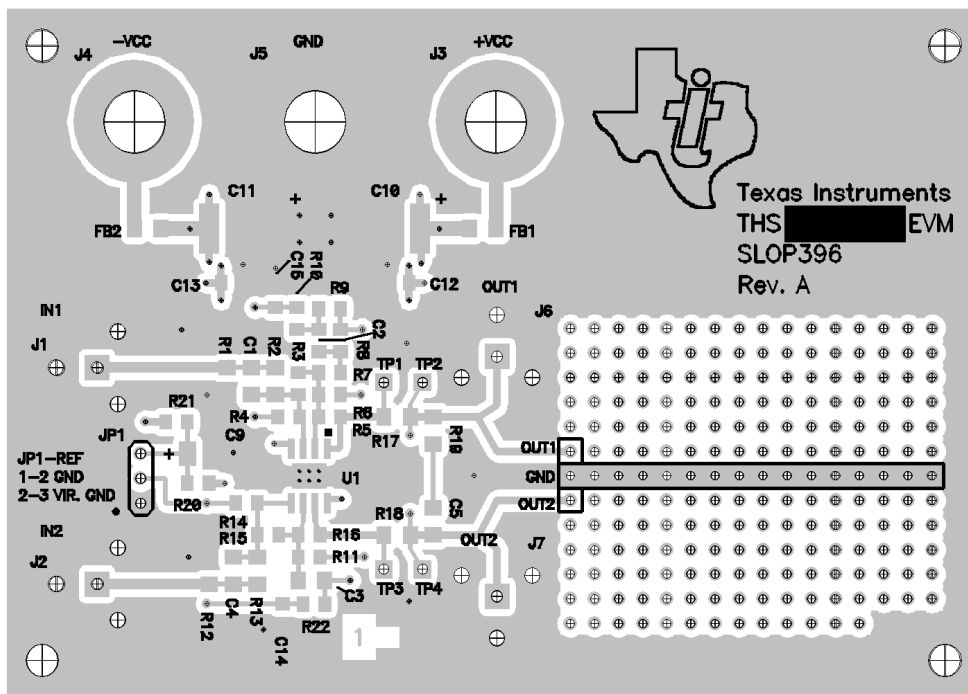




Figure 5–2. Internal Plane (Layer 2)

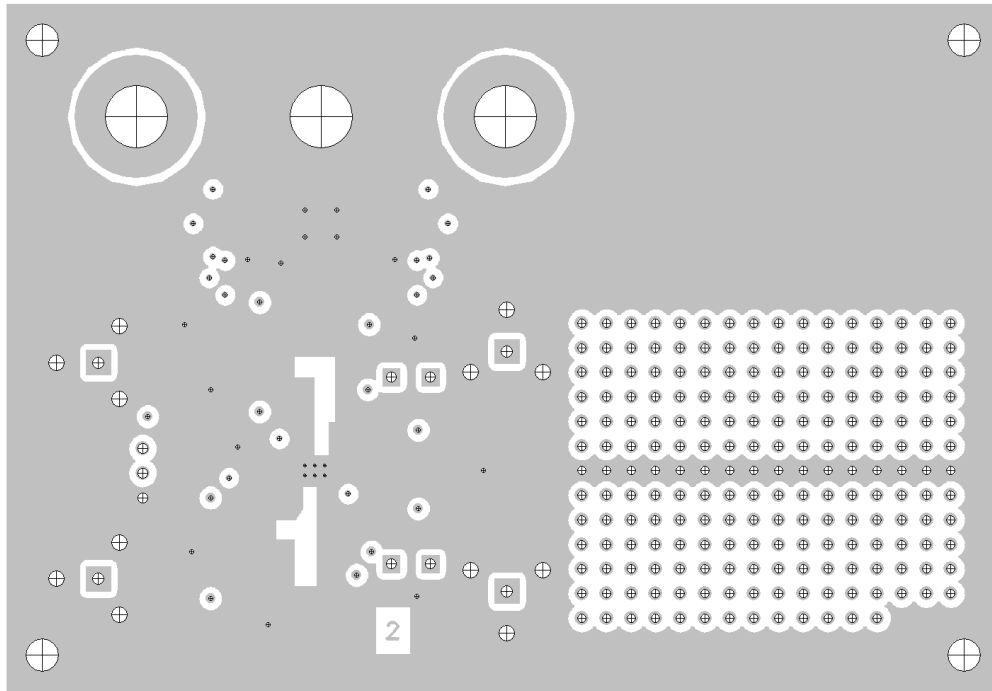


Figure 5–3. Internal Plane (Layer 3)

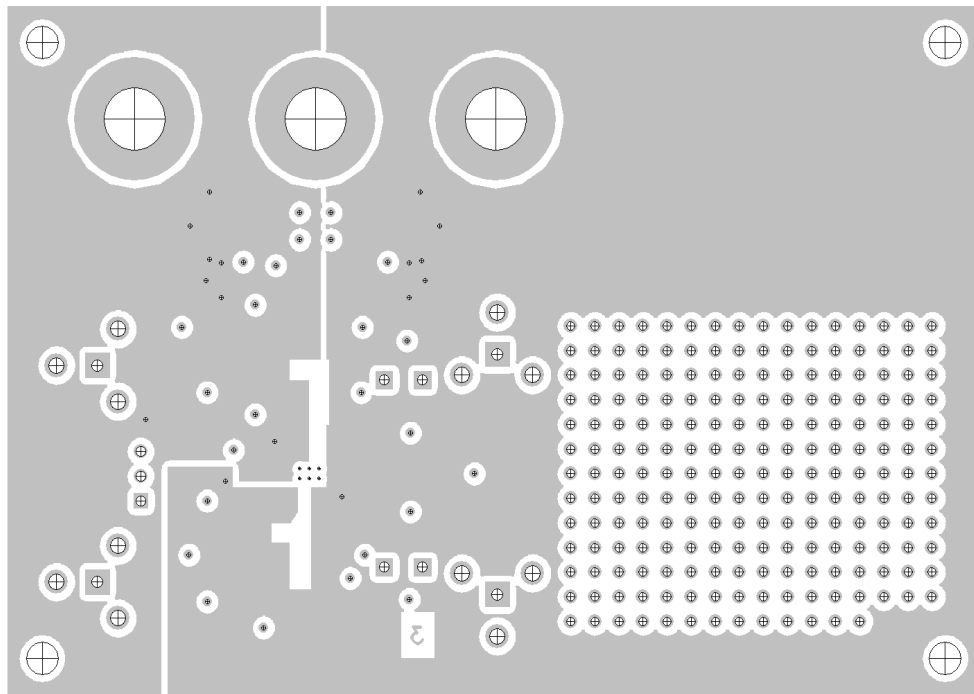


Figure 5–4. Bottom (Layer 4)

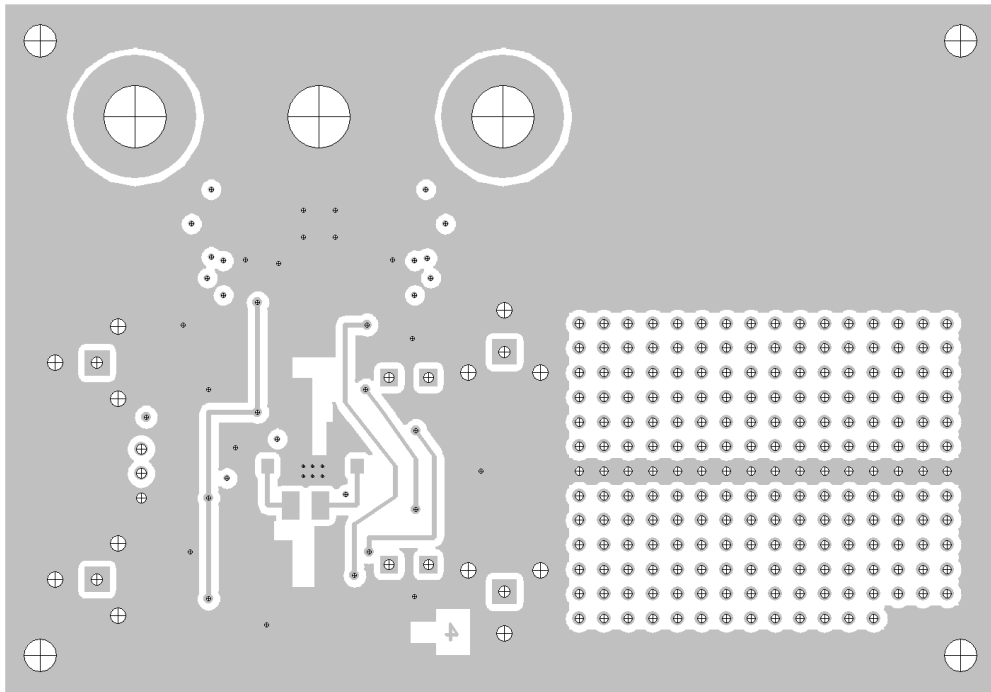
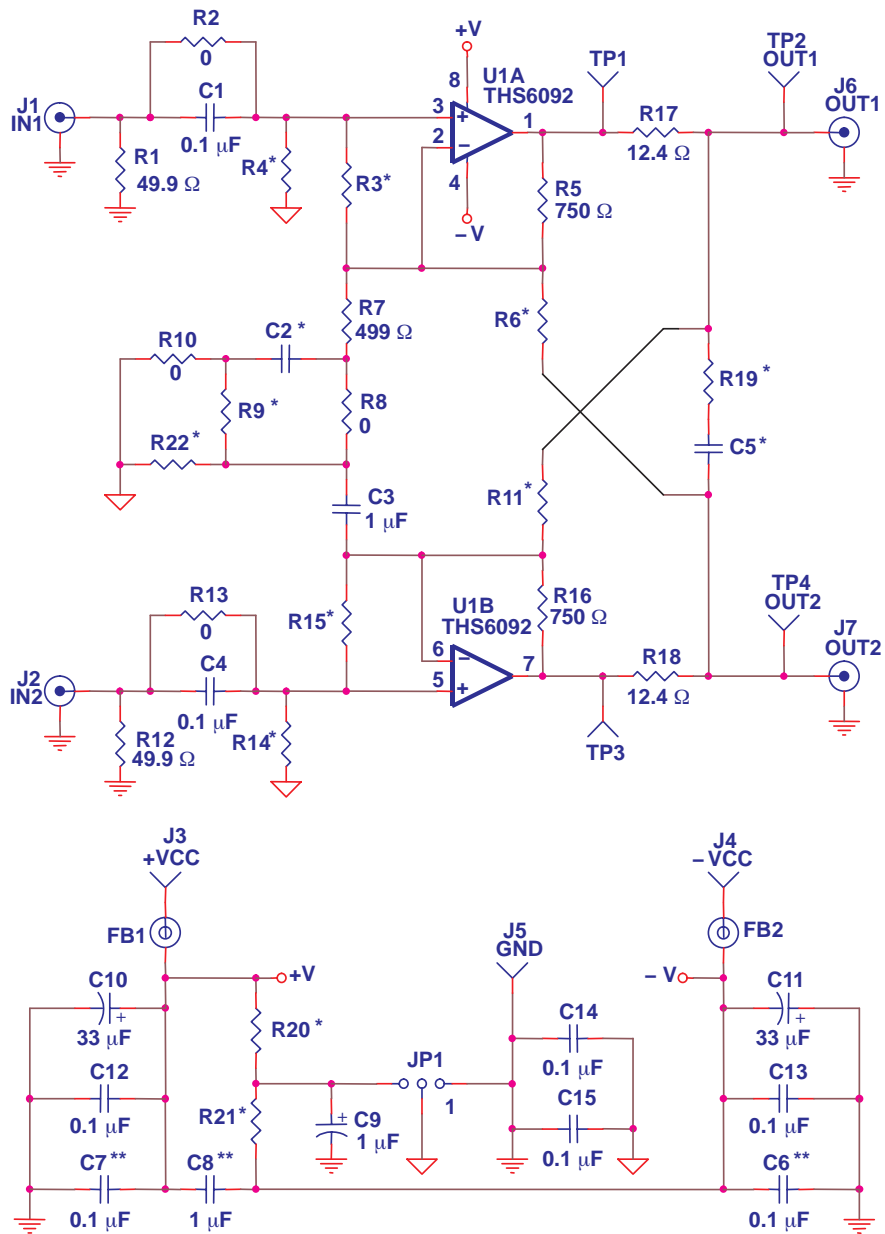


Figure 5–5. Full Schematic of the THS6092EVM



\* Not installed  
 \*\* Install near U1

